

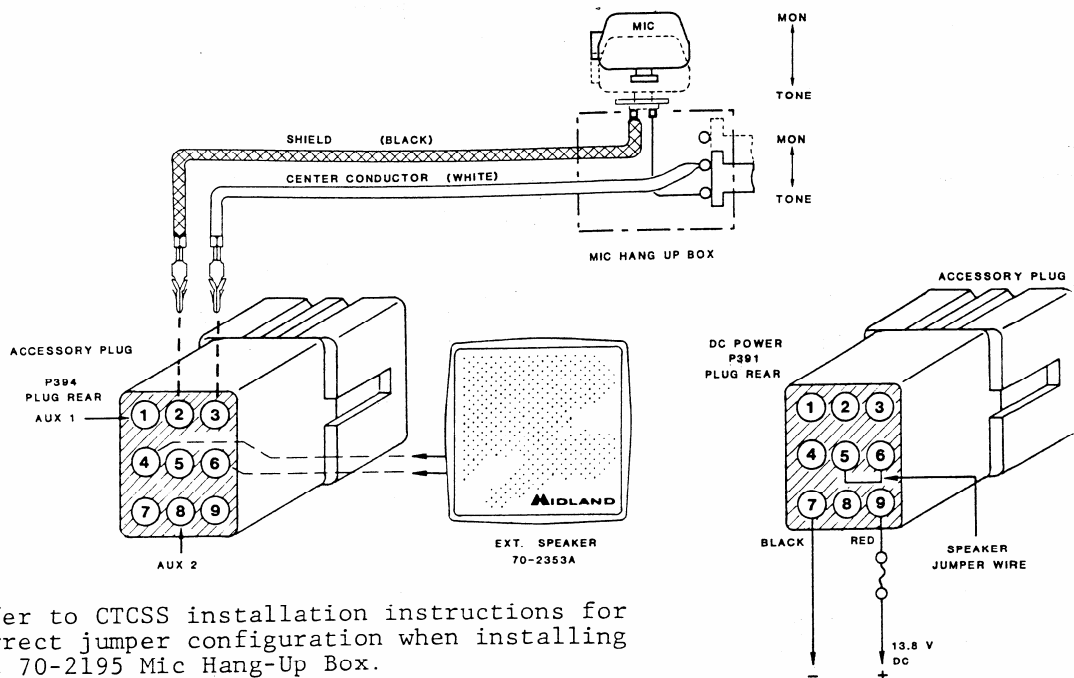
Midland
70-066 & 70-076
Service
Manual
Low Band

Midland 70-066 & 70-076 Service Manual

Part 4

TRUNK MOUNT DC POWER/ACCESSORY PLUGS INSTRUCTIONS 70-

The DC power jack 391 is designed to accept the 9 pin plug supplied with the unit for DC power. The control head accepts the 9 pin Accessory plug supplied with the unit for connection of the external speaker and MIC hang up box. Connections to the plugs are shown in the following diagrams.



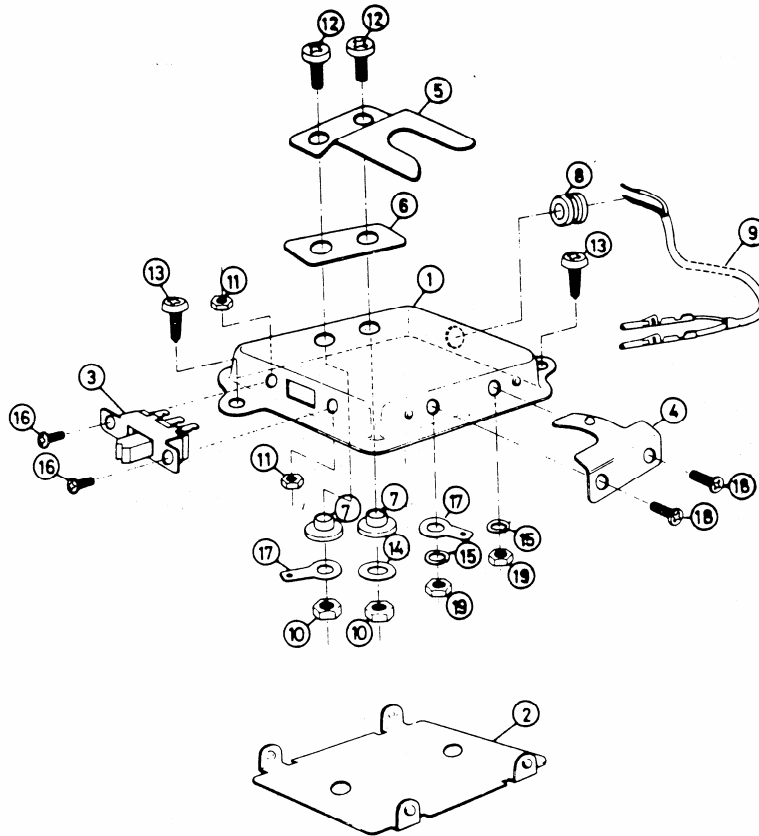
Refer to CTCSS installation instructions for correct jumper configuration when installing the 70-2195 Mic Hang-Up Box.

- The external speaker is normally connected to P394, the Accessory plug as shown above. Insert the male Molex pin connected to the striped wire in pin position #4 (ground), and the other wire in pin position #6. Do not remove the jumper wire between pins 5 and 6 of the DC Power plug P391.
- For subaudible tone (CTCSS) operation, the Mic hangup box 70-2195 is connected as shown above to pin positions 2 and 3 of the Accessory plug.
- Depending on the installation and the user's preference, the external speaker may be connected directly to the remote unit DC power plug P391 instead of at the control head. If this is desirable, the molex pins and connecting jumper wire between positions 5 and 6 of the DC Power plug P391 should be removed. The external speaker molex pins can then be inserted, the striped wire in pin position 4 and the plain wire in pin position 6. If it becomes desirable to relocate the external speaker and connect it to the control head plug as outlined in (A) above, a jumper connection between pins 5 and 6 of P391 must be made.

NOTE: Plug P391 and P394 utilize .093" male pins, Molex #02-0902143. Use Molex

MICROPHONE HANG-UP BOX — EXPLODED VIEW

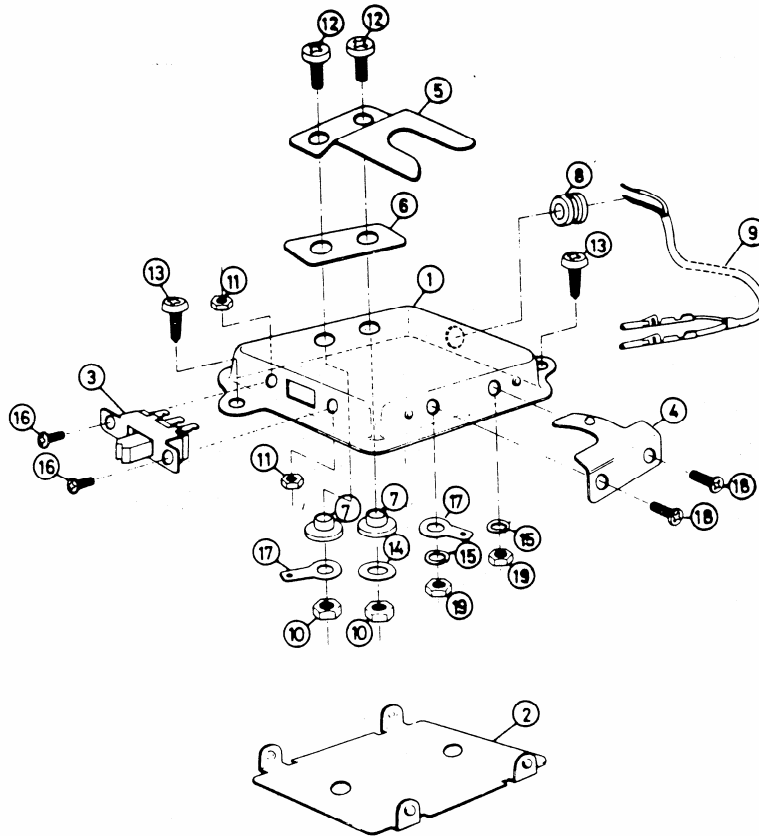
70-066/076



<u>REF. NO.</u>	<u>DESCRIPTION</u>	<u>PART NO.</u>
	<u>MICROPHONE HANG-UP BOX</u>	
1	Cover, Top	70-010068
2	Cover, Bottom	70-010069
3	Switch, Slide	70-183003
4	Hanger, A	70-158022
5	Hanger, B	70-158023
6	Spacer	70-151062
7	Washer, Insulation	70-151063
8	Rubber Bushing, Cord	70-156006
9	Shielded Wire Assembly	70-151064
10	Hex Nut, M3	70-151065
11	Hex Nut, M2	70-151066
12	Bind Head Screw 3 x 8	70-151067
13	Tapping Screw 3 x 8	70-151068
14	Washer 3.2	70-151069
15	Spring Washer 2.6	70-151070
16	Bind Head Screw 2 x 6	70-151071
17	Terminal	70-151072
18	Bind Head Screw 2.6 x 8	70-151073

MICROPHONE HANG-UP BOX — EXPLODED VIEW

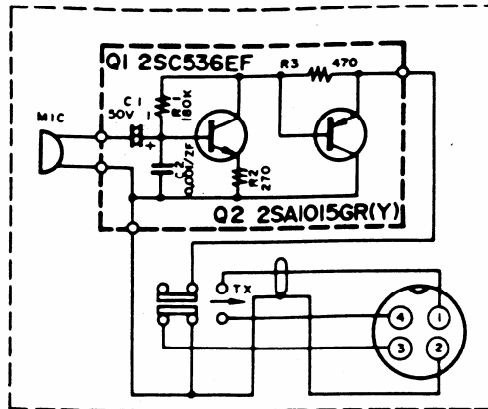
70-066/076



<u>REF. NO.</u>	<u>DESCRIPTION</u>	<u>PART NO.</u>
	<u>MICROPHONE HANG-UP BOX</u>	
1	Cover, Top	70-010068
2	Cover, Bottom	70-010069
3	Switch, Slide	70-183003
4	Hanger, A	70-158022
5	Hanger, B	70-158023
6	Spacer	70-151062
7	Washer, Insulation	70-151063
8	Rubber Bushing, Cord	70-156006
9	Shielded Wire Assembly	70-151064
10	Hex Nut, M3	70-151065
11	Hex Nut, M2	70-151066
12	Bind Head Screw 3 x 8	70-151067
13	Tapping Screw 3 x 8	70-151068
14	Washer 3.2	70-151069
15	Spring Washer 2.6	70-151070
16	Bind Head Screw 2 x 6	70-151071
17	Terminal	70-151072
18	Bind Head Screw 2.6 x 8	70-151073

MICROPHONE

70-066/076



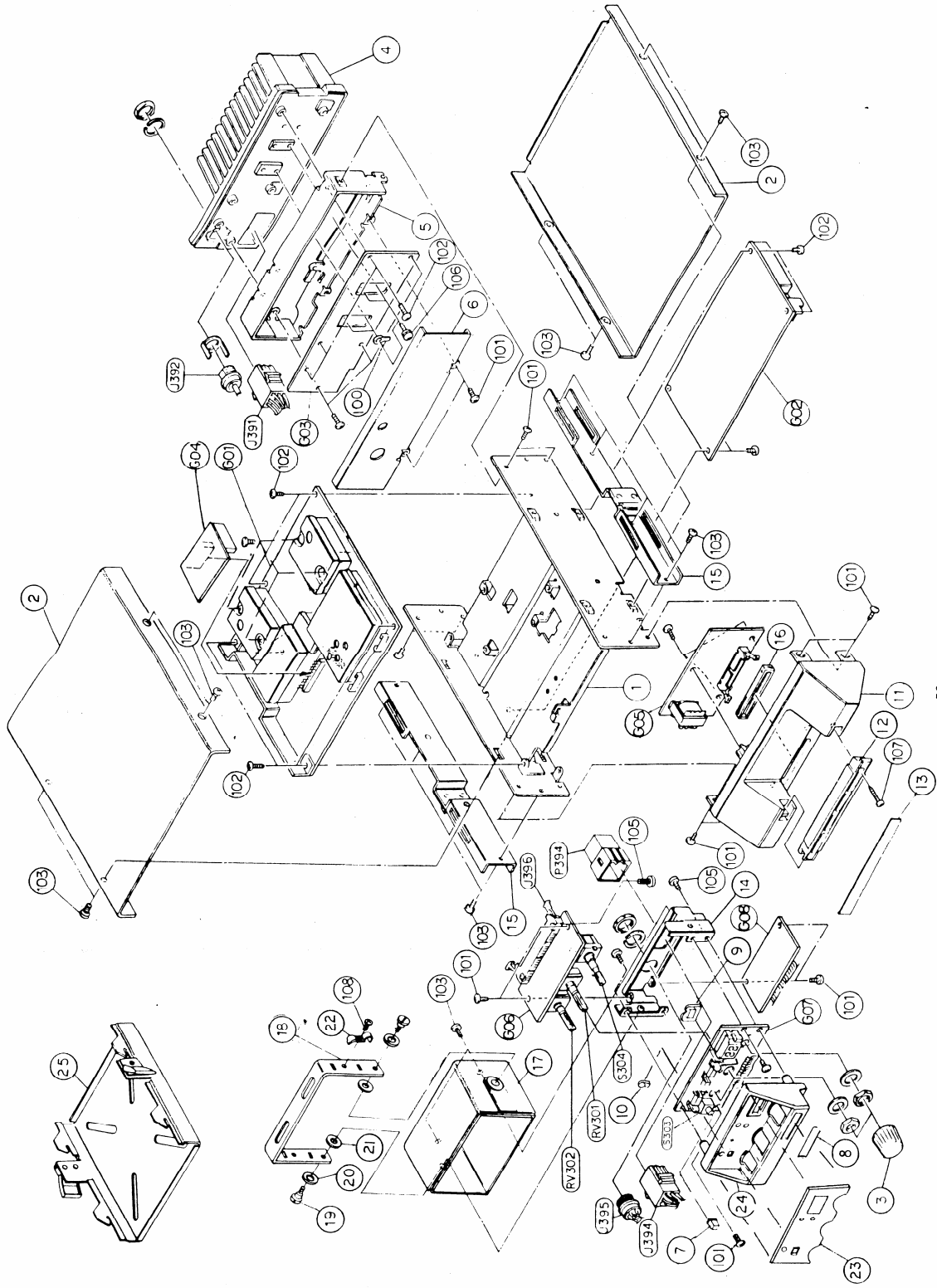
MICROPHONE PARTS LIST

DESCRIPTION:

PART NUMBER:

L.M.R. Dynamic Mic	70-038013
Panel, Case Front Mic	70-010072
Plate, Name Front Panel	70-020022
Case Front	70-010073
Element, Dynamic	70-038004
P/T Switch	70-183004
P/T Knob	70-118007
P.C.B. W/Comp.	70-075014
P.C.B. W/O Comp.	70-070008
2SA 1015	70-080025
2SC536	70-080026
Elect Cap 10F 50 WV	70-135002
Ceramic Cap (102)	70-132005
Cushion, P/T Switch	70-157015
Resistor 270 ohm 1/4 W	70-141010
Resistor 470 ohm 1/4 W	70-141016
Resistor 170K 1/4 W	70-141037
Cord, Mic W/O Cont.	70-034074
Cord, Mic W/Cont.	70-034075
Plug Mic 4 Pin	70-159015
Case Mic Rear	70-013017
Rubber, Mic Case Rear	70-157016
Screw, Case	70-151076
Screw, Mic Button	70-151078
Screw, Front Panel	70-151077
Mic Button	70-118008
Washer Special Mic Button	70-151079
Plate, Case Rear	70-020024
Weight, Ballast	70-151369

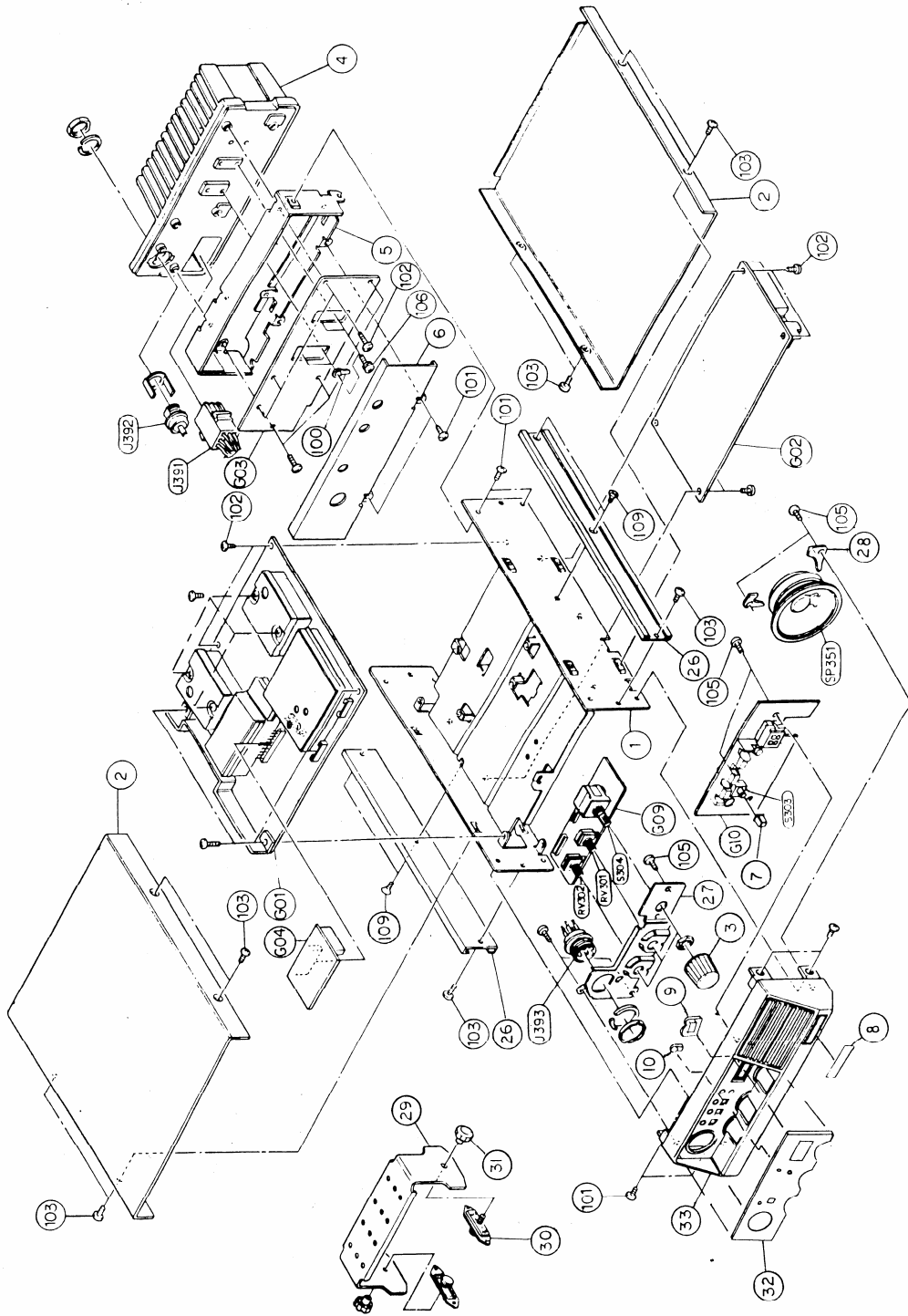
EXPLODED MECHANICAL VIEW



56

Fold Out

EXPLODED MECHANICAL VIEW



PARTS LIST

70-066/076

The following parts list is a composite listing for the 70-066A, 70-066B, 70-076A and 70-076B. For the application of each individual part, refer to the "USE" column as follows:

"USE" DESIGNATION	PART APPLICATION
A	70-066A, 70-076A
B	70-066B, 70-076B
UD	70-066A, 70-066B
TM	70-076A, 70-076B
NO DESIGNATION	70-066A, 70-066B, 70-076A, 70-076B

Refer to the separate exploded mechanical views for mechanical parts unique to trunk-mount or under-dash models. Mechanical parts common to both trunk-mount and under-dash versions are shown with the same reference number on both drawings and in the parts list.

REF.NO.	USE	DESCRIPTION	PART NO.	REF. NO.	USE	DESCRIPTION	PART NO.
CASE MATERIALS EXPLODED MECH. VIEW				30	UD	Plate, Side	70-158075
1		Chassis	70-015021	31	UD	Nut, Mntg. Brkt	70-151354
2		Cover	70-010040	32	UD	Face Plate, Std.	70-020068
3		Knob, Volume	70-110012	33	UD	Panel Front	70-010039
4		Heat Sink	70-089061	100		Grounding Lug	70-151109
5		Case, PA	70-010064	101		Screw Bind Hd.	70-151355
6		Cover, PA	70-010065	102		Screw Bind Hd.	70-151356
7		Button, Switch	70-110013	103		Screw Bind Hd.	70-151357
8		Plate, Brand	70-020070	105		Screw Tap Bnd. Hd.	70-151359
9		Lens, Chnl	70-020071	106		Screw Pan Hd.	70-151361
10		Lens, CDS	70-020072	107	TM	Screw Tap Bnd. Hd.	70-151365
11	TM	Panel, Front	70-010041	108	TM	Screw Bind Hd.	70-151366
12	TM	Grip	70-158077	109	UD	Screw Flat Hd.	70-151360
13	TM	Plate, Grip	70-158078	<u>PCB ASSEMBLIES</u>			
14	TM	Chassis, Control	70-015023	G01		TX-081 PCB Assy.	
15	TM	Side Rail	70-158076	G02		RX-081 PCB Assy.	
16	TM	Rubber Spacer	70-157056	G03		PA-081 PCB Assy.	
17	TM	Cover, Control Hd.	70-010066	G04		Z-273 PCB Assy.	
18	TM	Mtng. Bracket	70-158069	G05	TM	CX-08 PCB Assy.	
19	TM	Screw Mounting	70-151362	G06	TM	CX-05 PCB Assy.	
20	TM	Washer	70-151363	G07	TM	CX-07 PCB Assy.	
21	TM	Washer	70-151364	G08	TM	CX-06 PCB Assy.	
22	TM	Clamp	70-158079	G09	UD	CX-04 PCB Assy.	
23	TM	Face Plate, Std.	70-020069	G10	UD	CX-03 PCB Assy.	
24	TM	Panel, Front	70-010067	<u>JACKS AND CONNECTORS</u>			
25	TM	Mtng. Brkt. Assy.	70-158068	J391		Pwr/Acssy. Conn.	70-159108
26	UD	Rail, Side	70-158067	J392		RF Connector	70-159090
27	UD	Holder, Volume	70-158073	J393	UD	Mic Jack	70-159100
28	UD	Bracket, Spkr.	70-158074	J394	TM	Molex Conn.	70-159108

PARTS LIST

70-066/076

REF. NO.	USE	DESCRIPTION	PART NO.	REF. NO.	USE	DESCRIPTION	PART NO.
<u>JACKS & CONNECTORS CONT.</u>				<u>TRANSMIT/SYNTHESIZER PCB</u>			
J396	TM	Conn. Rem. Cbl.	70-159107	TX - 081			
P394	TM	Conn. Cont. Hd.	70-159112	TOP SIDE COMPONENTS			
<u>CONTROLS</u>				<u>TRANSISTORS</u>			
RV301	TM	Squelch, 10K	70-164030	Q101,106		2SC460B	70-080083
RV302	TM	Vol.W/Sw. 10K	70-164027	Q102,701		2SC535B	70-080095
RV301	UD	Squelch, 10K	70-164031	Q103,105,			
RV302	UD	Vol.W/Sw. 10K	70-164026	107,111,			
<u>SWITCHES</u>				402,403,			
S303		Monitor	70-180012	405,703,			
S304	TM	Chnl. Select	70-180014	705,706,		2SC458C	70-080082
S304	UD	Chnl. Select	70-180013	709,		2SK192ABL	70-080087
<u>SPEAKER</u>				Q108,707		2SK241GR	70-080110
SP351	UD	Speaker	70-060011	Q109,708			
<u>CABLE ASSEMBLIES</u>				Q110,112,			
CA351		J355 to J365	70-034059	710		2SC1906	70-080086
CA352		J366 to J371	70-034059	Q404		2SC1213C	70-080096
CA353		J356 to J365	70-034060	Q704		2SK117BL	70-080088
CA354		J391 to J351	70-034052	<u>INTEGRATED CIRCUITS</u>			
CA355		J353 to J364	70-034055	IC101		DH1048F	70-076141
CA358		J352 to J363	70-034056	IC102		HD74LS02P	70-076099
CA362	TM	CX-05 to CX-06	70-034071	IC103		MC4344	70-076086
CA363	TM	CX-06 to CX-07	70-034072	IC104,704		DH2501	70-076140
CA364	TM	CX-05 to CX-07	70-034073	IC106,702		HD74LS93P	70-076084
	TM	Remote Cbl. Assy.	70-034061	IC108		DH2503	70-076101
<u>MISCELLANEOUS</u>				IC401		MB3756	70-076139
SP352	TM	Remote Speaker	70-060014	IC402		HA17805W	70-076482
C391,392		270pf, 50V	70-131033	IC701		MPD3805C-003	70-076090
F391		Fuse, 10A	70-204026	IC703		MPB555C	70-076135
	UD	066 Pwr.Cord 2M	70-034031	IC706		HD14069UBP	70-076097
	TM	076 Pwr.Cord 6M	70-034032	IC901		HD44840A27	70-076175
		Mic Dynamic	70-038013	IC902		HD14021BP	70-076079
		Mic Hanger	70-158015	<u>COILS</u>			
				L101,102		Trnsfmr 42L051	70-090105
				L103,104		Inductor LPF	70-178047
				L106,108,			
				701,703,		Coil, Choke 4.7uH	70-178054
				L107		Coil, VCO	70-090139
				L110,111,			
				707,708,			
				709		Trnsfmr, Tx	70-090141
				L112		Trnsfmr, Tx	70-090107
				L114		Coil, Choke	70-090129
				L116,117		Coil, LPF	70-090131

PARTS LIST

70-066/076

REF. NO.	USE	DESCRIPTION	PART NO.	REF. NO.	USE	DESCRIPTION	PART NO.
<u>COILS CONT.</u>				<u>VARIABLE RESISTORS</u>			
L118		Trnsfmr. Tx	70-090108	RV101,102		Trim Pot 10K	70-144045
L119,120		Trnsfmr Dblr mix	70-090114	<u>CRYSTALS</u>			
L705,706	A	Coil, 5.5T	70-090130	X701		Crystal 5.12 MHz	70-128019
L705,706	B	Coil, 4.5T	70-090129	<u>CERAMIC RESONATOR</u>			
<u>MYLAR CAPACITORS</u>				CL901		Ceramic Resonator	70-179020
C116,170, 702,716		.01uf 50V	70-137037	<u>JACKS, PLUGS & SOCKETS</u>			
C129,714		.1uf 50V	70-137039	J361		13 Pin Jack	70-159098
C132,133		1500pf 50V	70-137035	J362,364		7 Pin Jack	70-159095
C416		.047uf 50V	70-137034	J363		6 Pin Jack	70-159094
C712,730		6800pf 50V	70-137036	J365,366		Jack, Coax	70-159089
C713		.22uf 50V	70-137040	P368,(CML01)		3 Pin Plug	70-159092
<u>ELECTROLYTIC CAPACITORS</u>				P901		11 Pin Plug	70-159103
C101		22uf 50V	70-135060	P902		10 Pin Plug	70-159104
C111,127, 409,410, 411		47uf 25V	70-135055	TP101,701		Test Point	70-151368
C113		0.1uf 35V	70-138086	<u>MISCELLANEOUS</u>			
C114		1uf 50V	70-135057	Oven 701		Posister	70-086010
C117,921		10uf 50V	70-135059			TX-081 PCB	70-070087
C141,413		4.7uf 50V	70-135058			Htsnk IC401/402	70-089075
C412,415, 905		100uf 10V	70-135053			Shield, Mixer	70-089077
C727,728, 901		47uf, 10V	70-135052			Shield, Mixer Cov.	70-089078
C743		220uf 16V	70-135081			Shield, Synth.	70-089079
<u>DIODES</u>						Shield, Synth.Cov.	70-089080
D101,102		HVP100.05	70-085271			Shield VCO	70-089081
D103,105, 106,107, 403,404, 406,703, 709,901		1S2075K	70-085001			Cover, VCO Main	70-089082
D104,702		1SV50	70-085044			Cover, VCO TX	70-089087
D108		ND487C1-3R	70-085057				
D402		HZ5C1	70-085058				
D405		HZ9A	70-085076				
<u>TRIMMER CAPACITORS</u>							
CV102		Trimmer Cap	70-123026				
CV701		Trimmer Cap	70-123023				

PARTS LIST

70-066/076

REF. NO.	USE	DESCRIPTION	PART NO.	REF. NO.	USE	DESCRIPTION	PART NO.
<u>TRANSMIT/SYNTHESIZER PCB</u> TX - 081 BOTTOM SIDE COMPONENTS							
<u>CERAMIC CHIP CAPACITORS</u>							
C100,104, 106,109, 110,119, 124,125, 171		.047uf W5R 50V	70-132034	C157,160, 162	A	39pf CH 50V	70-131194
C102,118, 121,126, 128,142, 164,167, 711		.022uf W5R 50V	70-132033	C157,160, 162	B	33pf CH 50V	70-131192
C103,108, 152,725		47pf CH 50V	70-131196	C161	A	82pf CH 50V	70-132038
C105,704, 907,914, 915,922		470pf SL 50V	70-131204	C161	B	68pf CH 50V	70-131198
C107		15pf CH 50V	70-131185	C163		68pf CH 50V	70-131198
C115		22pf CH 50V	70-131188	C165,710, 906		2200pf W5R 50V	70-131206
C134,703		27pf CH 50V	70-131190	C169,707		220pf CH 50V	70-131199
C137,709	A	9pf CH 50V	70-131181	C181		18pf CH 50V	70-131186
C137	B	7pf CH 50V	70-131179	C182	A	10pf CH 50V	70-131182
C709	B	6pf CH 50V	70-131178	C182	B	NONE	NONE
C143	A	10pf CH 50V	70-131182	C701	A	27pf CH 50V	70-131190
C143,720	B	8pf CH 50V	70-131180	C701	B	22pf CH 50V	70-131188
C144,148, 723		12pf CH 50V	70-131183	C705		330pf SL 50V	70-131203
C720	A	12pf CH 50V	70-131183	C722	A	7pf CH 50V	70-131179
C146		9pf CH 50V	70-131181	C722	B	6pf CH 50V	70-131178
C149,151, 166,706, 717,726, 729,731, 732,733, 734,738, 739,741		4700pf W5R 50V	70-131207	C735,737	A	30pf CH 50V	70-131191
C150,158, 170,176, 178,179, 414,902, 904		.01uf W5R 50V	70-132032	C735,737	B	27pf CH 50V	70-131190
C154,155, 156,159, 406,407, 408,913, 933		1000pf W5R	70-131205	C736		56pf CH 50V	70-131197
				C740		5pf CH 50V	70-131177
				C742		6800pf W5R 50V	70-131208
				C908,911, 920		100pf SL 50V	70-132040
				C923,924, 925,926, 927		150pf SL 50V	70-131201
				<u>METAL CHIP RESISTORS</u>			
				R101,108, 124,131, 162,166, 407,704,715		1K 1/8 W	70-144019
				R102,104, 150,709, 734		8.2K 1/8 W	70-144028
				R103,154, 171		68 ohm 1/8 W	70-144008
				R106,136, 176,746, 747,909, 910,916, 917,920, 921,922, 923,928, 930,931, 932,933,		22K 1/8 W	70-144032

PARTS LIST

70-066/076

REF. NO.	USE	DESCRIPTION	PART NO.	REF. NO.	USE	DESCRIPTION	PART NO.
934,935, 938,939, 942,943, 944,945		22K 1/8 W	70-144032	R409,713, 904,946		6.8K 1/8 W	70-144027
R107		15K 1/8 W	70-144031	R702		5.6K 1/8 W	70-144026
R109,116, 129		1.5K 1/8 W	70-144029	R707		150K 1/8 W	70-144038
R110,401, 405,706, 111		470 ohm 1/8 W	70-144015	R710		1.2K 1/8 W	70-144020
R112,114, 126,703, 924		10K 1/8 W	70-144029	R716		150 ohm 1/8 W	70-144037
R113,133, 151,172, 177,735		3.3K 1/8 W	70-144023	R725,148		220 ohm 1/8 W	70-144013
R120,173		68K 1/8 W	70-144035	R728,902		1M ohm 1/8 W	70-144042
R123,127, 132,134, 161,408, 410,712		4.7K 1/8 W	70-144025	R738		82 ohm 1/8 W	70-144072
R128,714		2.2K 1/8 W	70-144067	R918,919, 936,937		47K 1/8 W	70-144034
R137,156, 175,719, 745,741		47 ohm 1/8 W	70-144006			<u>MISCELLANEOUS</u>	
R138,145, 168,174, 708,711, 724		680 ohm 1/8 W	70-144017			Shield VCO (Tx)	70-089088
R139,142, 720,722, 901,907, 912,925, 926,929		100K 1/8 W	70-144037			Insltr Mylr Flm	70-089091
R141,144, 146,403, 404,718, 721,739		33 ohm 1/8 W	70-144005			Shield Pre Amp	70-089089
R147,149		56 ohm 1/8 W	70-144007			Insltr Pre Amp	70-089090
R152,736		180 ohm 1/8 W	70-144012				
R153,155, 701,743, 744		100 ohm 1/8 W	70-144009				
R163,164, 167,169, 190,191, 726,742, 950		0 ohm	70-144001				
R406		33K 1/8 W	70-144033				

PARTS LIST

70-066/076

REF. NO.	USE	DESCRIPTION	PART NO.	REF. NO.	USE	DESCRIPTION	PART NO.
RECEIVER PCB				C202,205	B	9pf CH 50V	70-131181
RX 081				C203,211, 224		1pf CK 50V	70-131173
BOTTOM SIDE COMPONENTS				C207,209, 217,218, 219,225, 226,228, 230,245, 251,253, 262,267, 275,293, 294		1000pf W5R 50V	70-131205
<u>METAL CHIP RESISTORS</u>				C208,210	A	39pf CH 50V	70-131194
R201		220 ohm 1/8 W	70-144013	C208	B	47pf CH 50V	70-131196
R202,204, 268,283		100 ohm 1/8 W	70-144009	C210	B	22pf CH 50V	70-131188
R203,273		470 ohm 1/8 W	70-144015	C212	A	15pf CH 50V	70-131185
R205,250, 256,258				C212	B	10pf CH 50V	70-131182
292		47K 1/8 W	70-144034	C220,223	A	6pf CH 50V	70-131178
R206		680 ohm 1/8 W	70-144017	C220,223	B	5pf CH 50V	70-131177
R207,257, 274,287, 291,294		22K 1/8 W	70-144032	C221		18pf CH 50V	70-131186
R208,260		2.7K 1/8 W	70-144046	C222		.5pf CK 50V	70-131172
R209,217, 270,271, 272,281, 285,286, 297		4.7K 1/8 W	70-144025	C252,260, 265,269, 272,274, 276,281, 290,291		0.01uf W5R 50V	70-132032
R211,263, 279,298, 299		10K 1/8 W	70-144029	C254,255		33pf CH 50V	70-131192
R213,214, 215		0 ohm	70-144001	C258,250		10pf CH 50V	70-131182
R251,259, 293		220K 1/8 W	70-144039	C259,261		.022uf 50V	70-132033
R252,261, 275		3.3K 1/8 W	70-144023	C263		.047uf 50V	70-132034
R253,262, 290		82K, 1/8 W	70-144036	C283		4700pf W5R 50V	70-131207
R254,255		1.5K 1/8 W	70-144021	<u>MISCELLANEOUS</u>			
R269		1K 1/8 W	70-144019	Shield Rx		70-089085	
R276,280		15K 1/8 W	70-144031	Insulator Rx		70-089086	
R277,288		1M ohm 1/8 W	70-144042				
R278,289		470K 1/8 W	70-144041				
R282,295, 296		6.8K 1/8 W	70-144027				
<u>CERAMIC CHIP CAPACITORS</u>							
C201,206		7pf CH 50V	70-131179				
C213	A	7pf CH 50V	70-131179				
C213	B	6pf CH 50V	70-131178				
C202,205	A	15pf CH 50V	70-131185				

PARTS LIST

70-066/076

REF. NO.	USE	DESCRIPTION	PART NO.	REF. NO.	USE	DESCRIPTION	PART NO.
RECEIVER PCB							
RX 081							
TOPSIDE COMPONENTS							
		<u>COILS & TRANSFORMERS</u>				<u>DIODES</u>	
L201,202, 204,205		Coil, RX 5.5T	70-090136	D204		1S5106	70-085043
L203		Coil, Rx	70-090121	D251,252, 253,254, 259,260		1S2075K	70-085001
L208		Trnsfmr 21.4 MHz	70-090109	D262		U05C	70-085048
L209		Trnsfmr Loc. Osc.	70-090142	D263	TM	1S2075K	70-085001
L210		Trnsfmr Loc. Osc.	70-090143	<u>ELECTROLYTIC CAPACITORS</u>			
L251		Trnsfmr 21.4 MHz	70-090113	C227,277		10uf, 50V	70-135059
L252		Coil Quad	70-090112	C273,285		100uf, 10V	70-135053
L253		Coil, Choke	70-090125	C287		470uf, 16V	70-135062
L254,255		Coil, Choke	70-090124	C289,292		220uf, 25V	70-135063
L256		Coil, DC Filter	70-090126	C295		100uf, 25V	70-135056
				C299		470uf, 25V	70-135082
		<u>JACKS, PLUGS & SOCKETS</u>		<u>TANTALUM CAPACITORS</u>			
P251(CM202)		Plug, 3 Pin	70-159091	C257		0.1uf, 35V	70-138086
P358		Plug, 8 Pin	70-034053	C268		1uf, 35V	70-138087
J351		Jack, 5 Pin	70-159093	C266,278, 279		2.2uf, 16V	70-138103
J352		Jack, 6 Pin	70-159094	C280,282		.22uf, 35V	70-138102
J353		Jack, 7 Pin	70-159095	C286		47uf, 25V	70-135055
J354		Jack, 12 Pin	70-159097	<u>MYLAR CAPACITORS</u>			
J355,356		Jack, Coax	70-159089	C256,288		0.1uf, 50V	70-137039
J357,358		Jack, 8 Pin	70-159096	<u>RESISTORS</u>			
		<u>INTEGRATED CIRCUITS</u>		R293		220K metal, 1/8 W	70-144039
IC251		MC3357P	70-076138	<u>MISCELLANEOUS</u>			
IC252		MC3712	70-076085	X251		X'tal 20.945 MHz	70-128021
		<u>TRANSISTORS</u>		FL251		Crystal Filter	70-179017
Q201,202		2SK125	70-080089	FL252		Fltr. CFU -455E2	70-179019
Q203		2SC1906	70-080086	FL253		Fltr. CFU -455D2	70-179018
Q204		2SA673C	70-080079	RV251,252		Trim Pot, 10K	70-144045
Q205,252, 255,256, 257,260, 261		2SC458C	70-080082	K201	TM	Relay	70-105009
Q251		2SC535B	70-080095	C296		1000pf, 500V	70-132043
Q259		2SK117BL	70-080088	CL201,202, 204,205, 206		Coil Case, 15F	70-090115
						Heatsink IC252	70-089076
						RX PCB RX-081	70-070086

PARTS LIST

70-066/076

REF. NO.	USE	DESCRIPTION	PART NO.	REF. NO.	USE	DESCRIPTION	PART NO.
TRANSMIT POWER AMPLIFIER							
PA 081							
BOTTOM SIDE COMPONENTS							
<u>METAL CHIP RESISTORS</u>							
R501		0 ohm	70-144001				
R503		3.3K 1/8 W	70-144023				
R504		150 ohm 1/8 W	70-144011				
R505	A	330 ohm 1/8 W	70-144065				
R505	B	470 ohm 1/8 W	70-144015				
R508		100 ohm 1/8 W	70-144009				
R509		56 ohm 1/8 W	70-144007				
R510	A	220 ohm 1/8 W	70-144013				
R510	B	330 ohm 1/8 W	70-144065				
R513		220 ohm 1/8 W	70-144013				
R514		47K 1/8 W	70-144034				
R517		3.9K 1/8 W	70-144024				
R518		390 ohm 1/8 W	70-144066	R506,507		68 ohm 1/4 W	70-145008
R519,520		47 ohm 1/8 W	70-144006	R512		220 ohm 1/4 W	70-145009
R521		470 ohm 1/8 W	70-144015				
R522	A	10 ohm 1/8 W	70-144068				
R522	B	NONE	NONE				
<u>CERAMIC CHIP CAPACITORS</u>							
C501	A	.01uf, W5R 50V	70-132032				
C501	B	1000pf, W5R 50V	70-131205				
C502	A	NONE	NONE				
C502	B	68pf, CH 50V	70-131198				
C503,504, 541,542, 509,523, 527,528, 538,539		0.01uf W5R 50V	70-132032				
C505	A	27pf CH 50V	70-131190				
C505	B	15pf CH 50V	70-131185				
C506	A	33pf CH 50V	70-131192				
C506	B	10pf CH 50V	70-131182				
C508	A	47pf CH 50V	70-131196				
C508	B	22pf CH 50V	70-131188				
C511		68pf CH 50V	70-131198				
C512	A	33pf CH 50V	70-131192				
C512	B	NONE	NONE				
C513	A	470pf CH 50V	70-132053				
C513	B	330pf CH 50V	70-132052				
C526	A	33pf CH 50V	70-131192				
C526	B	27pf CH 50V	70-131190				
				<u>MICA CHIP CAPACITORS</u>			
				C519	A	220pf 100V	70-138112
				C519	B	150pf 100V	70-138111
				C521	A	27pf 500V	70-138097
				C521	B	22pf 500V	70-138107
				C522	A	39pf 500V	70-138099
				C522	B	27pf 500V	70-138097
				C525,531		33pf 500V	70-138098
				C532,534	A	82pf 500V	70-138109
				C532,534	B	75pf 500V	70-138108
				C533	A	91pf 500V	70-138110
				C533	B	82pf 500V	70-138109
				C535	A	33pf 500V	70-138098
				C535	B	27pf 500V	70-138097
				<u>TOPSIDE COMPONENTS</u>			
				<u>RESISTORS</u>			
				R506,507		68 ohm 1/4 W	70-145008
				R512		220 ohm 1/4 W	70-145009
				<u>VARIABLE CAPACITORS</u>			
				CV501,502		Var. Cap. 80pf	70-123030
				CV503		Var. Cap. 60pf	70-123031
				<u>VARIABLE RESISTORS</u>			
				RV502		Var. Res. 1K, mtl	70-144044
				<u>TRANSISTORS</u>			
				Q501		2SC2538	70-080108
				Q502		2SC1971	70-080054
				Q503		2SC2097	70-080109
				Q504		2SB834Y	70-080081
				Q505,506		2SC458C	70-080082
				<u>DIODES</u>			
				D501		UM9401	70-085056
				D503		MI407	70-085047
				D504		1SS106	70-085043
				D505		1S2075K	70-085001
				<u>COILS</u>			
				L501		Coil, RF Cplg	70-090099

PARTS LIST

70-066/076

REF. NO.	USE	DESCRIPTION	PART NO.
<u>TOPSIDE COMPONENTS CONT.</u>			
<u>COILS CONT.</u>			
L508		Coil, RF	70-090374
L502	A	Coil, RF Choke	70-090131
L502	B	Coil, RF Choke	70-090130
L503		Coil, RF Cplg.	70-090098
L504		Coil, RF Choke	70-090130
L505		Ferrite Bead	70-090122
L506	A	Coil, RF Choke	70-090099
L506	B	Coil, RF Choke	70-090097
L507		Coil, RF Choke	70-090097
L510		Coil, RF Choke	70-090100
L511	A	Coil, RF Choke	70-090098
L511	B	Coil, RF Choke	70-090097
L512		Coil, T Matching	70-090132
L513		Coil, T Matching	70-090133
L514		Coil, RF Choke	70-090128
L515,516,519 517,518		Coil, RF Cplg.	70-090134
<u>ELECTROLYTIC CAPACITOR</u>			
C507,518		10uf, 50V	70-135059
<u>CERAMIC DISC CAPACITOR</u>			
C517,524		.01uf 50V	70-132041
<u>JACKS</u>			
J371,372		Connector,Jack V	70-159089
J392		Antenna Connect	70-159090

PARTS LIST

70-066/076

REF. NO.	USE	DESCRIPTION	PART NO.	REF. NO.	USE	DESCRIPTION	PART NO.
<u>EPROM PCB</u>				<u>TRANSISTORS</u>			
Z 273				Q301	UD	2SC458C	70-080082
<u>CAPACITORS</u>				Q302	UD	2SB649C	70-080080
C951		0.01 uf 50V	70-132032	<u>DIODES</u>			
C952 - 957		47 pf 50V	70-131200	D301	UD	GL-6N202	70-085051
<u>INTEGRATED CIRCUITS</u>				D302, 303,			
IC 951		uPD 2716D	70-076089	304	UD	SLP436B	70-085052
IC 952		HD 14174BP	70-076081	D305	UD	SLP530D	70-085053
<u>CONNECTORS</u>				CDS301	UD	CDS CELL	70-085054
J901		Jack, 11 Pin	70-159101	<u>PC BOARD</u>			
J902		Jack, 10 Pin	70-159102	CX 03A	UD	PCB	70-070081
J903		Jack, 8 Pin	70-159099	<u>CABLE ASSEMBLY</u>			
<u>PC BOARD</u>				J1	UD	Jack 13 Pin	70-034063
Z273		PCB	70-070070	CA356	UD	Cable J384, J385	70-034058
<u>DISPLAY PCB</u>				CA357	UD	Cable W/J381	70-034057
CX - 03				CA359	UD	Cable W/J383	70-034051
<u>SWITCHES</u>				CA360	UD	Cable W/J386	70-034050
S301	UD	Scan	70-180012	<u>MISCELLANEOUS</u>			
S302	UD	PRI	70-180012	LED Holder			
S303	UD	MON	70-180012	70-159113			
<u>RESISTORS:</u>				<u>CONTROL PCB</u>			
CX - 04				<u>SWITCHES</u>			
R332	UD	270 ohm 1/8W	70-144047	S 304	UD	SW, Rotary	70-180013
R311-324	UD	470 ohm 1/8W	70-145004	<u>CONTROLS</u>			
R310, 325,				RV 301	UD	Squelch	70-164031
328-330	UD	560 ohm 1/8W	70-145003	RV302	UD	Volume	70-164026
R331	UD	1.2K ohm 1/8W	70-145007	<u>RESISTORS</u>			
R326	UD	3.3K ohm 1/8W	70-145005	R333	UD	1W 4.7 ohm	70-144043
R327	UD	12K ohm 1/8W	70-145006	<u>CAPACITORS</u>			
R303-308	UD	22K ohm 1/8W	70-145002	C301, 302	UD	10uf 50V	70-135059
R301, 302,				<u>INTEGRATED CIRCUITS</u>			
309	UD	220K ohm 1/8W	70-145001	HD 14511BP			
IC301.302UD		HD 14511BP	70-076082				

PARTS LIST

70-066/07

REF. NO.	USE	DESCRIPTION	PART NO.	REF. NO.	USE	DESCRIPTION	PART NO.
<u>CONTROL PCB</u>				<u>DISPLAY DRIVER PCB</u>			
CX - 04 CONTINUED				CX - 06			
<u>INTEGRATED CIRCUITS</u>				<u>RESISTORS</u>			
IC303	UD	uPC 78084	70-076088	R312,313, 314,315	TM	470 ohm 1/8 W	70-145004
<u>CONNECTORS</u>				R307,308	TM	22K ohm 1/8 W	70-145002
J382	UD	Jack, 7 Pin	70-159095	R301,302, 309	TM	220K ohm 1/8 W	70-145001
<u>PCB</u>				<u>INTEGRATED CIRCUITS</u>			
CX - 04A	UD	PCB	70-070082	IC301,302	TM	HD14511BP	70-076082
<u>CONTROL/INTERFACE PCB</u>				<u>PC BOARD</u>			
CX - 05				CX-06A	TM	PCB	70-070085
<u>SWITCHES</u>				<u>DISPLAY PCB</u>			
S304	TM	SW, Rotary	70-180014	CX - 07			
<u>CONTROLS</u>				<u>SWITCHES</u>			
RV 301	TM	Squelch Control	70-164030	S301,302, 303	TM	Scan,Pri,Mon	70-180012
RV 302	TM	Volume Control	70-164027	<u>RESISTORS</u>			
<u>RESISTORS</u>				R311,316- 324	TM	470 ohm 1/8 W	70-145004
R332	TM	270 ohm 1/8 W	70-144047	R310,325, 328-330	TM	560 ohm 1/8 W	70-145003
R303-306	TM	22K ohm 1/8 W	70-145002	R331	TM	1.2K ohm 1/8 W	70-145007
<u>CAPACITORS</u>				R326	TM	3.3K ohm 1/8 W	70-145005
C301,302	TM	10uF 50V	70-135059	R327	TM	12K ohm 1/8 W	70-145006
<u>INTEGRATED CIRCUITS</u>				<u>TRANSISTORS</u>			
IC303	TM	uPC7808H	70-076088	Q301	TM	2SC458C	70-080082
<u>CONNECTORS</u>				Q302	TM	2SB649C	70-080080
J396	TM	Jack 34 Pin	70-159107	<u>DIODES</u>			
<u>PCB</u>				D301	TM	GL-6N202	70-085051
CX -5A	TM	PCB	70-070084	D302,303, 304	TM	SLP436B	70-085052
				D305	TM	SLP530D	70-085053

PARTS LIST

70-066/076

REF. NO.	USE	DESCRIPTION	PART NO.
<u>DISPLAY PCB</u>			
CX - 07 CONTINUED			
		<u>CONNECTORS</u>	
J301	TM	Jack, 16 Pin	70-159105
		<u>PC BOARD</u>	
CX-07A	TM	PCB	70-070086
		<u>MISCELLANEOUS</u>	
		LED Holder	70-159113
<u>CONTROL CABLE INTERFACE PCB</u>			
CX - 08			
		<u>RESISTORS</u>	
R351	TM	4.7 ohm 1/2 W	70-145052
		<u>CAPACITORS</u>	
C351	TM	220uf 25V	70-131224
		<u>TRANSFORMER</u>	
T301	TM	8392159	70-090144
		<u>CONNECTORS</u>	
J325	TM	Jack, 34 Pin	70-159106
		<u>PC BOARD</u>	
CX-08A	TM	PCB	70-070076
		<u>CABLE ASSEMBLY</u>	
CA357	TM	Cable W/J323	70-034069

